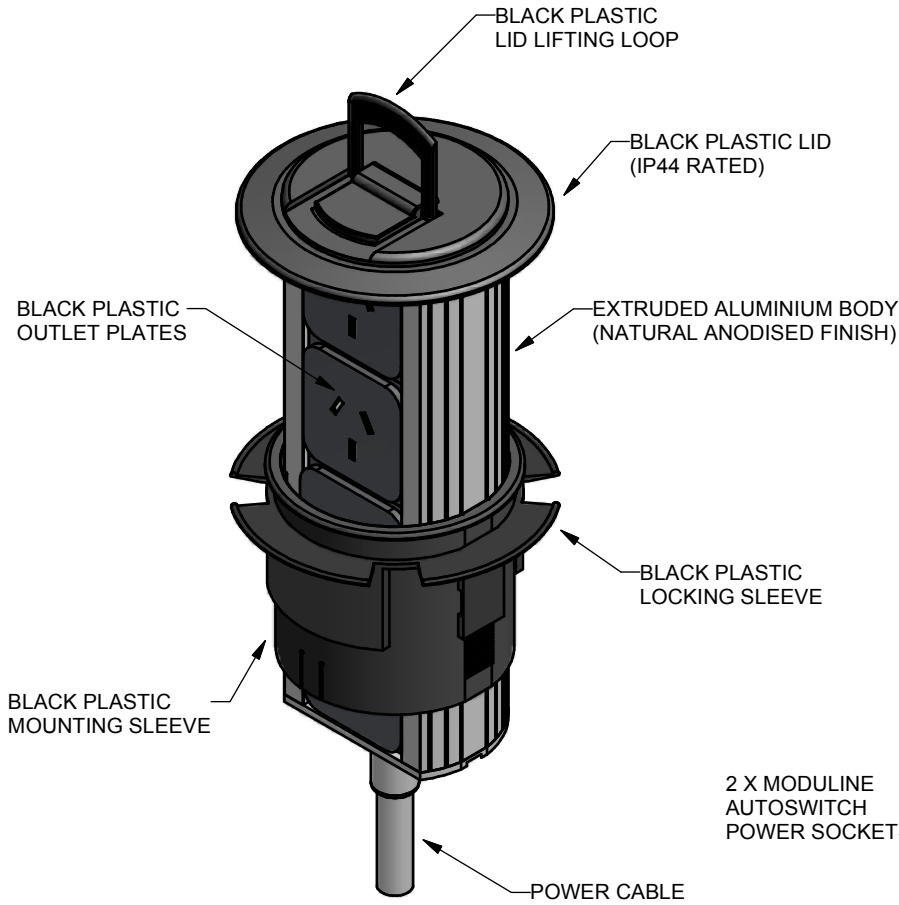
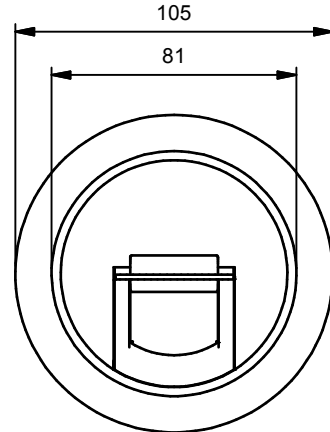


© COPYRIGHT * 22/10/2007
 MODULINE PTY LIMITED
 ALL RIGHTS RESERVED

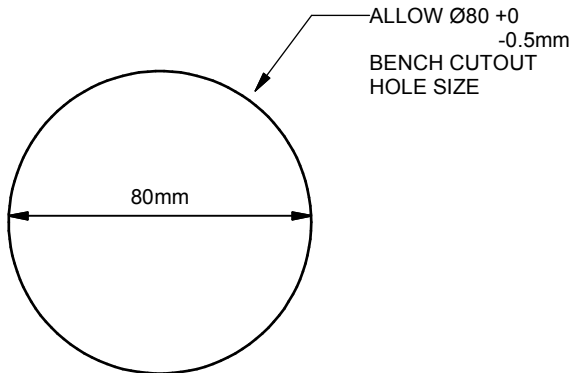
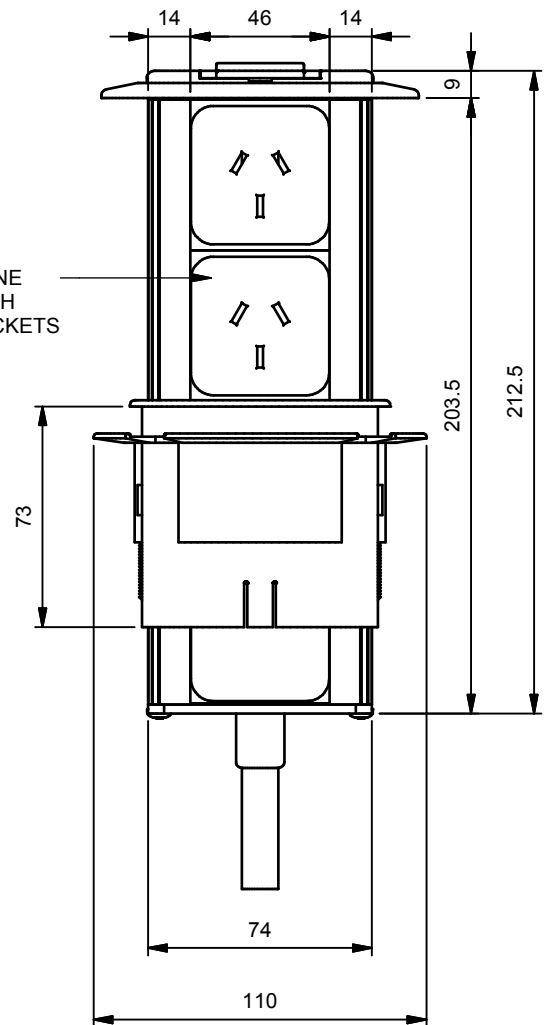
ISOMETRIC VIEW



TOP VIEW



FRONT VIEW



COMPLIANCE CERTIFICATION NO: 07-14



PO BOX 8248 NORTHLAND CENTRE
 PRESTON EAST VIC 3072
 20 RESERVE STREET, PRESTON. VIC, 3072

TEL: 1300 1965 65
 FAX: 1300 1965 66
 ABN 64 004 642 951

Project: MODULINE STANDARD PRODUCTS
 Title: **DBPU DESK POP UP OUTLET BOX (BLACK)
 2 X POWER OUTLETS**

Drawn By: MT Date Drawn: 22/10/2007

Chk/Appr: Date Issued: 22/10/2007

Project No. DBPU	Drawing No. DBPU2PB	Issue: 1
		Rev: