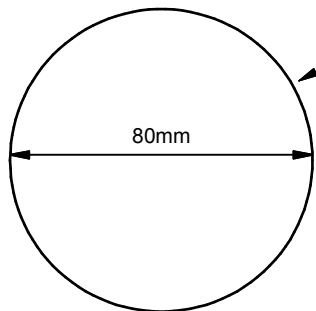
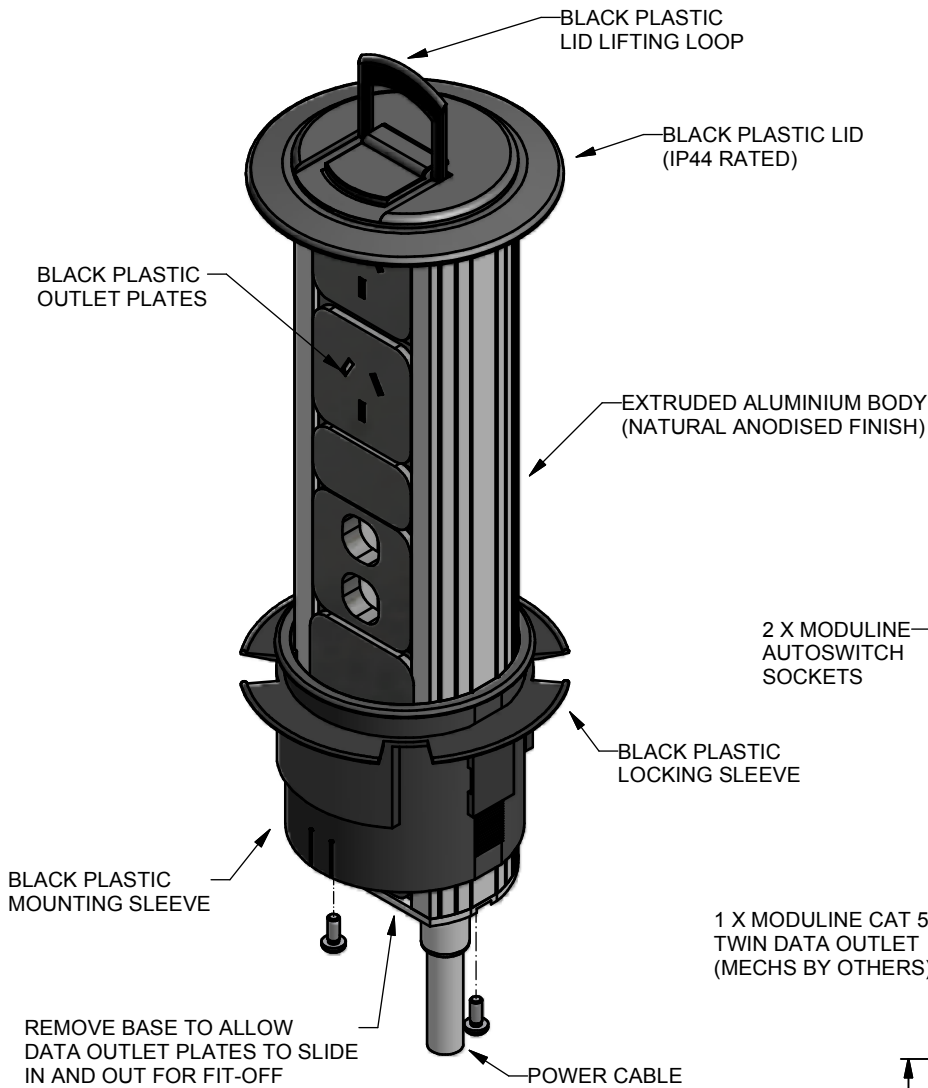


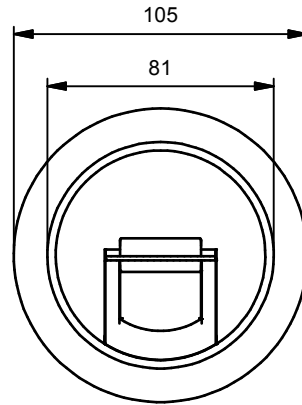
© COPYRIGHT 20/08/2007
 MODULINE PTY LIMITED
 ALL RIGHTS RESERVED

ISOMETRIC VIEW

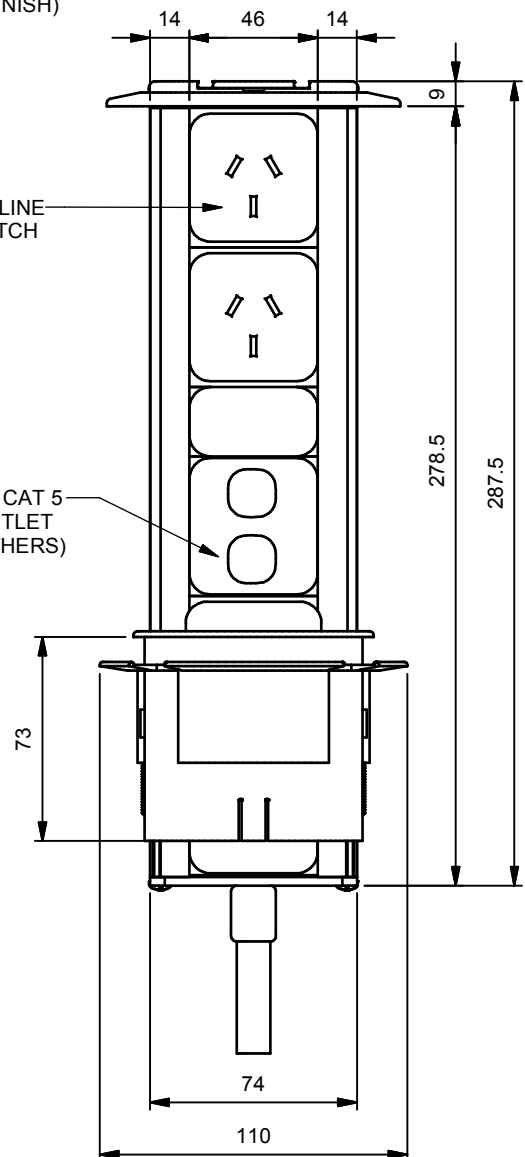


ALLOW $\varnothing 80 + 0 - 0.5$ mm
 BENCH CUTOUT
 HOLE SIZE

TOP VIEW



FRONT VIEW



COMPLIANCE CERTIFICATION NO: 07-14



PO BOX 8248 NORTHLAND CENTRE
 PRESTON EAST VIC 3072
 20 RESERVE STREET, PRESTON. VIC, 3072

TEL: 1300 1965 65
 FAX: 1300 1965 66
 ABN 64 004 642 951

Project: MODULINE STANDARD PRODUCTS
 Title: **DBPU DESK POP UP OUTLET BOX (BLACK)**
2 X POWER OUTLETS, 2 X DATA

Drawn By: MT Date Drawn: 20/08/2007

Chk/Appr: Date Issued: 20/08/2007

| | | |
|----------------------------|---------------------------------|------------------|
| Project No. DBPU | Drawing No. DBPU2PTDB | Issue: 1 Rev: |
|----------------------------|---------------------------------|------------------|