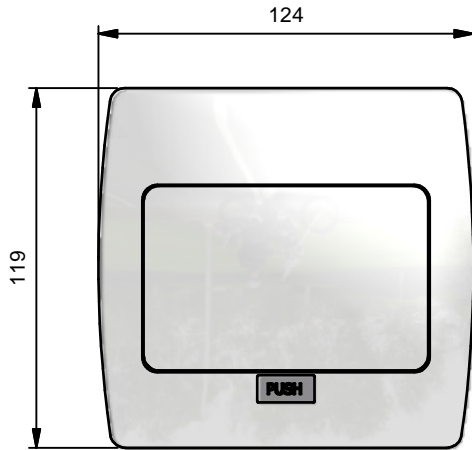
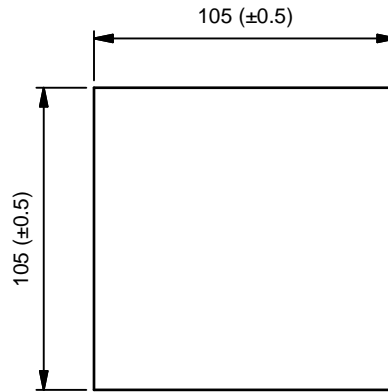


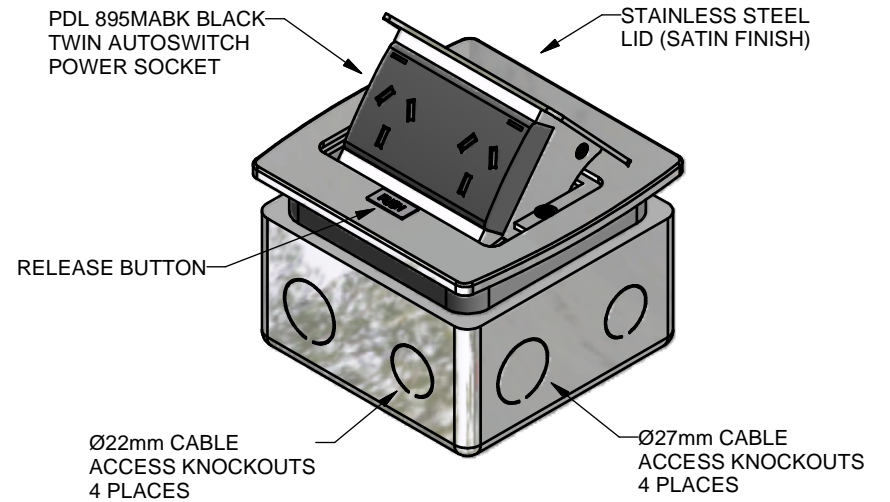
TOP VIEW



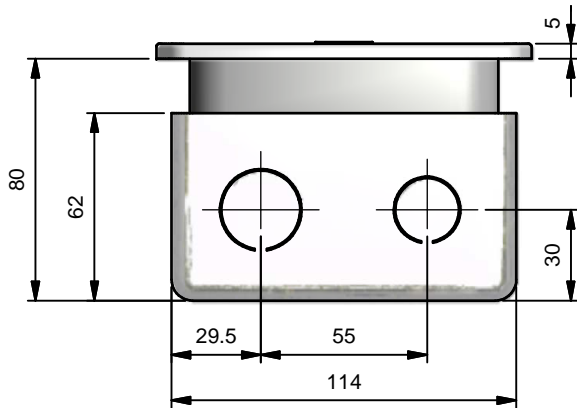
BENCH CUTOUT SIZE



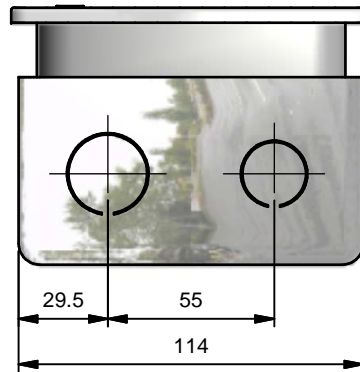
ISOMETRIC VIEW



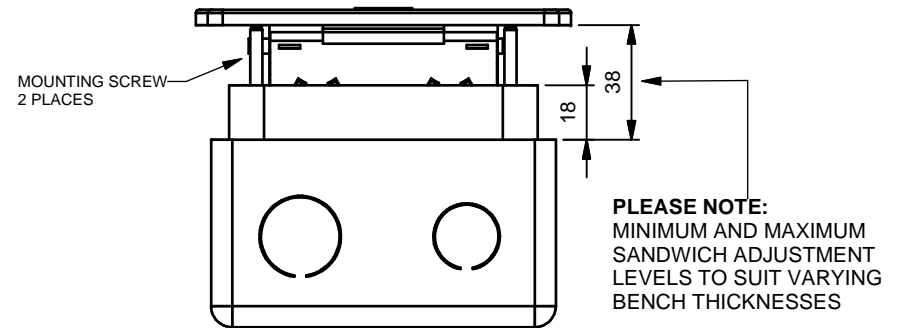
FRONT VIEW



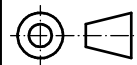
SIDE VIEW



LID ADJUSTMENT



**INFORMATION**



A4



20 RESERVE ST  
PRESTON. VIC  
3072

TEL: 1300 1965 65  
FAX: 1300 1965 66  
ABN: 27 007 873 529

Project: MODULINE STANDARD PRODUCTS  
Title: SERIES SB-IP-2PSS SOHO SPRING LOADED POP UP OUTLET BOX

Tolerance

0 DP ± 1.00mm  
1 DP ± 0.25mm  
2 DP ± 0.10mm

Drawn By: MT

Chk/Appr: CH

Drawing Number:

Drawn: 19/02/2009

Issued: 19/02/2009

Drawing Issue: 1

CAD Revision: 1

Material/Treatment:

DIMENSIONS IN MM.  
© COPYRIGHT

**SBIP2PSS**